

HDMI Splitter/Extender via Singlemode Fiber Optic Cable

VOPEX®

Drive up to 4 displays from one HDMI video source up to 12.4 miles (20 km)

- Broadcast real-time HDMI video to multiple display locations.
- Supports HDTV resolutions to 1080p.
- HDMI features supported:
 - Deep Color
 - Dolby TrueHD, DTS-HD Master Audio, Dolby Digital, and DTS
 - Bandwidth up to 10.2 Gbps
- HDCP compliant.
- Signal transmission via single-strand 9-micron singlemode SC fiber optic cable – no RF interference.
- Plug and play functionality – no software needed.
- Cables can be installed in conduit prior to transmitter/receiver installation.
- Built-in default EDID table.
- No power supply required for the optical splitter.
- Integrated mounting brackets on the optical splitter, transmitter, and receivers for easy surface/wall mounting.
- Ideal solution for digital signage applications.



FIBER-1X4-SSSC Optical Splitter and ST-FOHD-SC-ULC Remote & Local Unit

The VOPEX® HDMI Splitter/Extender simultaneously distributes high resolution HDMI video to up to four displays up to 12.4 miles (20 km) from an HDMI video source using a single-strand SC singlemode fiber optic cable.

The VOPEX system consists of three components: the optical splitter, which connects to the transmitter and receivers; the transmitter, which connects to the host HDMI video source; and a receiver for each remote HDMI display. The units are interconnected by a simplex 9-micron singlemode SC fiber optic cable.

Specifications

Optical Splitter

Connectors

- Five SC singlemode fiber connectors

Power

- Powered from video source connected to transmitter.

Dimensions

- WxDxH: 6.42x4.76x1.09 in (163x121x28 mm)

Environmental

- Operating temperature: -40 to 185°F (-40 to 85°C)

Regulatory Approvals

- RoHS

Warranty

- Two years

Cables

- Use simplex SC singlemode 9-micron fiber optic cables to extend the transmitter/receivers from the optical splitter.
 - Use FIBER-AD-SS-LCFSCM to convert a male simplex LC singlemode connector to a male simplex SC singlemode connector.
 - Use FIBER-AD-SS-STFSCM to convert a male simplex ST singlemode connector to a male simplex SC singlemode connector.
- Cables not included.

Max Distance

- 12.4 miles (20 km) over 9.0µm singlemode SC fiber optic cable between the transmitter and receivers.

Transmitter and Receivers

Video

- Connectors (for transmitter and receivers): one female HDMI connector and one SC singlemode fiber connector.
 - The transmitter and receiver feature a 3.5mm port for IR.
 - ◆ IR extension is not supported with more than one receiver.
- Supports HDTV resolutions up to 1080p.
- Built-in default EDID table.
- Low RFI/EMI.
- Frequency Bandwidth: 10.2Gbps
- Latency: 220ms
- Supports HDMI cable lengths up to 32 feet (10 meters) for the input and output (not included).

Power

- Local and remote unit: 100 to 240 VAC at 50 or 60Hz via AC adapter.
- Input voltage: 5VDC.
- Power consumption: 5W each.

Dimensions

- WxDxH: 5.39x3.07x0.91 in (137x78x23 mm)

Environmental

- Operating temperature: 32°F to 140°F (0°C to 60°C).

Regulatory Approval

- CE, RoHS

Warranty

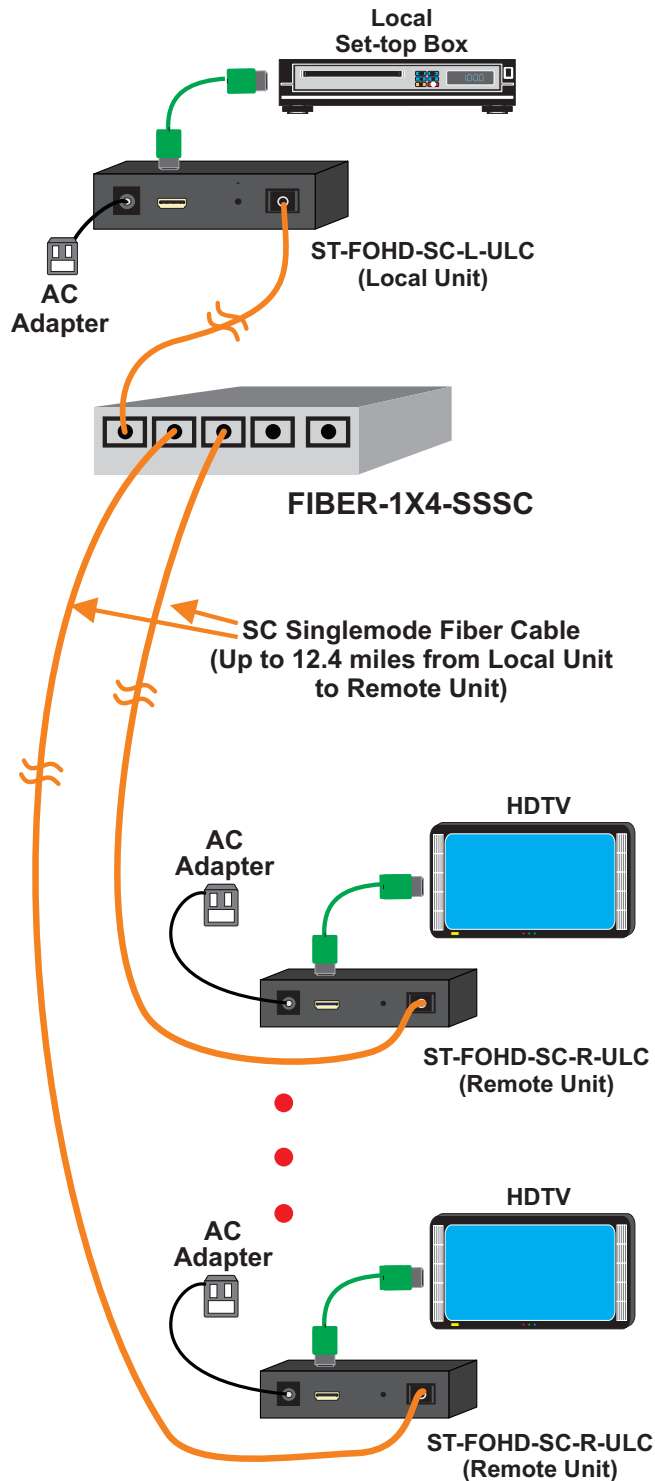
- Two years

HDMI Splitter/Extender via Singlemode Fiber Optic Cable

VOPEX®

Drive up to 4 displays from one HDMI video source up to 12.4 miles (20 km)

Configuration and Cable Illustration



HDMI Splitter/Extender via Singlemode Fiber Cable

NTI Part #	Function	# of Ports
FIBER-1X4-SSSC	Optical Splitter	1 SC Fiber Input, 4 SC Fiber Outputs
ST-FOHD-SC-L-ULC	Transmitter	1 HDMI for Source, 1 SC Fiber
ST-FOHD-SC-R-ULC	Receiver	1 HDMI for Display, 1 SC Fiber