

Low-Cost HDMI Splitter/Extender via CAT5e/6: 4-Port VOPEX®

Simultaneously distribute 1080p HDMI video and multi-channel audio to four displays up to 131 feet using CATx cable



- Transmits an HDMI signal over CAT5e/6/6a/7 cable to multiple display locations.
 - Extend 1080p/1920x1200 to 131 feet (40 m) and 720p to 230 feet (70 m)
- Supports HDTV resolutions to 1080p, and up to 1920x1200 (WUXGA).
- HDMI features supported:
 - HDMI 1.4
 - Up to 36-bit Deep Color
 - RGB, YCbCr 4:4:4, YCbCr 4:2:2
 - LPCM, AC3, DTS, Dolby TrueHD, DTS-HD
 - Bandwidth up to 8.13 Gbps
 - Support for CEC (consumer electronic control) compatible device that is connected to the transmitter.
 - ♦ Receivers do not support CEC.
- HDCP 1.4 compliant.
- Supports the DDC2B protocol.
- Built-in default EDID table.
- Includes four receivers.
 - Compact design – allows for direct connection to remote display.
 - No power supply required.
- Cascade two units together to send video simultaneously to 8 receivers.
- Ideal for digital signage, tradeshow, or classrooms where high quality video on multiple displays is needed.



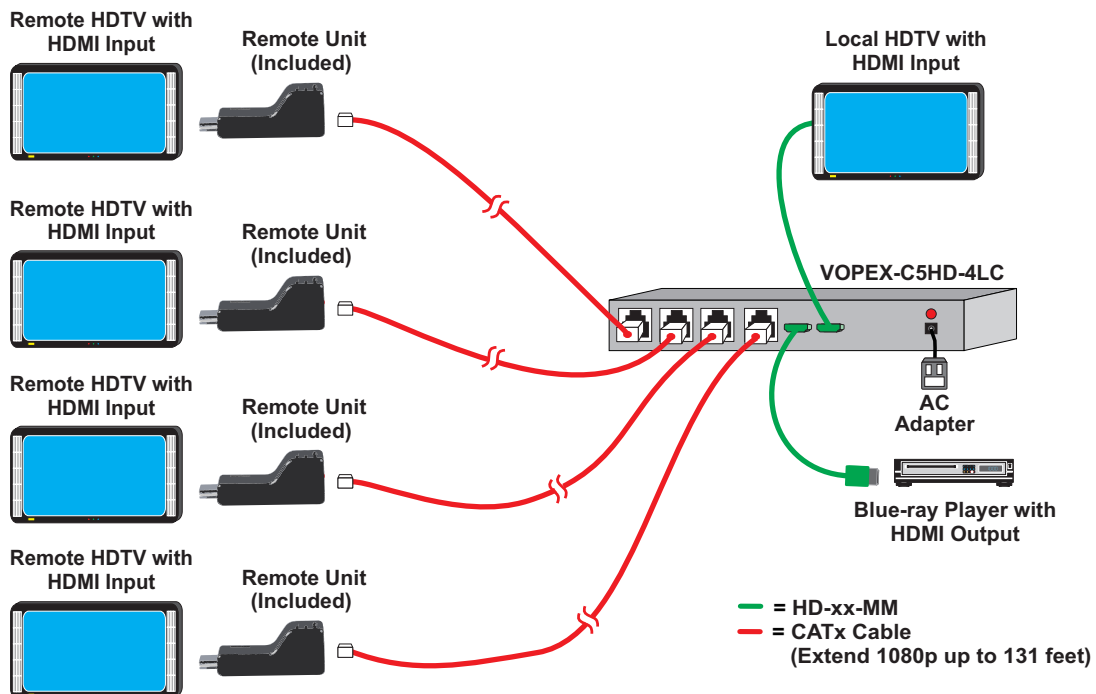
VOPEX-C5HD-4LC Local Unit (Front & Back)

- **Extend 1080p to 131 feet**
- **Four receivers included**
- **No power supply required for receivers**

The VOPEX® 4Low-Cost HDMI Splitter/Extender simultaneously distributes 1080p HDMI video and multi-channel audio from one video source to up to four displays and speakers, each located up to 131 feet away via CATx cable.

The VOPEX-C5HD-4LC system consists of an HDMI broadcast unit, which connects to the HDMI source and also supplies video to a local display; and four included receivers for each remote HDMI display. The units are interconnected by CAT5e/6/6a/7 cable.

Configuration and Cable Illustration



Low-Cost HDMI Splitter/Extender via CAT5e/6: 4-Port

VOPEX®

Simultaneously distribute 1080p HDMI video and multi-channel audio to four displays up to 131 feet using CATx cable

Specifications

Local Unit

- Compatible with computers and video sources (satellite receivers, Blu-Ray players, etc) with HDMI video.
- One female HDMI connector for video source.
- One female HDMI connector for local display or for cascading to another VOPEX-C5HD-4LC.
 - Local display: Supports HDTV resolutions to 1080p, and up to 1920x1200 (WUXGA).
 - Cascading: Two units can be cascaded together for sending video simultaneously to 8 receivers.
- Female DB9 serial connector for RS232 control and firmware updates.
 - Baud rate fixed at 57600.
- Four female RJ45 connectors for sending high-definition video, audio, and DDC signals.
- Supports HDCP 1.4
- Video bandwidth: 8.13 Gbps

Remote Unit

- Supports HDTV resolutions to 1080p, and up to 1920x1200 (WUXGA).
- One female HDMI connector.
- One female RJ45 connector for receiving high-definition video, audio, and DDC signals.
- Supports embedded digital audio through HDMI compatible TVs or audio receivers.

Power

- Local unit:
 - Input: 100 to 240 VAC at 50 or 60 Hz via AC adapter.
 - Output: 12VDC, 1A
- Remote units: powered by local unit

Dimensions

- Local unit WxDxH (in): 6.57x3.98x1.57 (167x101x40 mm)
- Remote unit WxDxH (in): 0.94x2.26x0.87 (24x58x20 mm)

Environmental

- Operating temperature:
 - Local unit: 32 to 158°F (0 to 70°C).
 - Remote unit: 32 to 131°F (0 to 55°C).
- Storage temperature:
 - Local unit: -4 to 257°F (-20 to 125°C).
 - Remote unit: -4 to 185°F (0 to 85°C).
- Operating/storage relative humidity: up to 95% non-condensing RH.

Regulatory Approvals

- CE, RoHS

Warranty

- Two years

Max Distance

- 131 feet (40 meters) for 1080p and 1920x1200 over CAT5e/6/6a/7 cable.
- 230 feet (70 meters) for 720p over CAT5e/6/6a/7 cable.

Cables

- Interface cables between the video source/displays and the transmitter/receiver are required for proper operation.
- Use HD-xx-MM cable to connect an HDMI source or display.
- Use DVI-HD-xM-MM to connect a DVI source or display to the local unit.
- Use HDMIF-DVIDM adapter to connect a DVI display to the remote unit.
- Use CATx solid or stranded straight through cable for TIA/EIA-568B wiring terminated with standard RJ45 connectors.
- Cables not included.

Package Includes

- One transmitter
- Four receivers
- One power adapter



Receiver (Front & Back) – 4 Receivers Included