

Low-Cost 4K HDMI USB KVM Extender Over IP

XTENDEX®

Extend 4Kx2K HDMI monitor, Audio, USB keyboard, and USB mouse up to 328 feet using Gigabit Ethernet.

- Supports Ultra-HD 4Kx2K resolutions to 3840x2160 and 4096x2160 @30Hz YUV 4:4:4, and HDTV resolutions to 1080p @60Hz.
 - Extend 4Kx2K up to 328 feet using CAT6/6a/7 cable.
 - ♦ In a Point-to-Many or Many-to-Many connection, the max length between the switch and the local/remote unit is 164 feet.
- USB ports for keyboard and mouse.
 - Keyboard and mouse are hot-pluggable.
- Plug-and-Play installation allows receivers to find the transmitter automatically on the same network. (Network configuration may be required for managed network switch for many-to-many connections.)
- When using multiple remote units, only one unit can have USB control over the source at any time.
- Built-in EDID table.
- HDMI features supported:
 - HDMI 1.4
 - 36-bit Deep Color
 - Dolby, DTS, PCM, and LPCM
 - YUV 4:4:4
 - Bandwidth up to 340 MHz (10.2 Gbps)
- HDCP 1.4 compliant.
- Easily expandable. Add remote as you add monitors.



ST-IPUSB4K-LC
(Local & Remote Unit)

- **Extend 4Kx2K @30Hz up to 328 ft via one CATx cable**
- **Local and remote monitors**
- **Supports Point-to-Point, Point-to-Many, & Many-to-Many connections**

The XTENDEX® Low-Cost 4K HDMI USB KVM Extender Over IP provides remote KVM (USB keyboard, USB mouse, and 4Kx2K HDMI monitor) access to a USB computer up to 328 feet (100 meters) over a Gigabit network using a single CAT6/6a/7 cable.

Each Low-Cost 4K HDMI USB KVM Extender consists of a local unit that connects to an HDMI source and also supplies video to a local monitor, and a remote unit that connects to a keyboard, monitor and mouse. The local and remote units can be connected together for a Point-to-Point connection via CATx or a Point-to-Many connection via a network switch. Support for multiple transmitters requires a managed network switch.

Specifications

Local Unit

- Compatible with a USB computer (PC, SUN and MAC) with Ultra-HD 4K HDMI output.
- Multiplatform support: Windows 2000/XP/Vista/7/8/10, Windows Server 2000/2003/2008/2012/2016, Solaris, Linux, FreeBSD, and MAC OS 9/10.
- One female HDMI connector for computer connection.
- One female HDMI connector for local monitor.
 - Supports Ultra-HD 4Kx2K resolutions to 3840x2160 @30Hz YUV 4:4:4, and HDTV resolutions to 1080p @60Hz.
- One female USB Type B connector.
- One female RJ45 port for sending/receiving high definition video/audio and USB signals.
- Supports HDCP 1.4

Power

- Local and remote unit:
 - Input: 100 to 240 VAC at 50 or 60 Hz via AC adapter.
 - ♦ ST-IPUSB4K-LC: US NEMA 1-15P
 - ♦ ST-IPUSB4K-LCEU: Europlug CEE 7/16
 - ♦ ST-IPUSB4K-LCUK: UK BS1363
 - ♦ ST-IPUSB4K-LCAU: AS/NZS 3112
 - ♦ ST-IPUSB4K-LCUNV: US NEMA 1-15P with country-specific universal power plug adapter
 - Output: 5VDC, 1A

Remote Unit

- One female HDMI connector.
- Two female USB Type A connectors for keyboard and mouse.
- One female RJ45 port for sending/receiving high definition video/audio and USB signals.
- Supported video resolutions:
 - Ultra-HD 4Kx2K resolutions (3840x2160 and 4096x2160 @ 30Hz)
 - HDTV resolutions to 1080p
- Supports HDCP 1.4
- Max data rate: 10.2Gbps
- Supports embedded digital audio through HDMI compatible TVs or audio receivers.

Dimensions

- WxDxH (in): 5.21x3.53x0.98 (132.37x89.7x24.9 mm)

Environmental

- Operating temperature: 32 to 140°F (0 to 60°C)
- Storage temperature: 14 to 158°F (-10 to 70°C)
- Operating relative humidity: 0 to 90% non-condensing RH.

Regulatory Approvals

- CE, FCC, RoHS

Warranty

- Two years

Low-Cost 4K HDMI USB KVM Extender Over IP XTENDEX®

Extend 4Kx2K HDMI monitor, Audio, USB keyboard, and USB mouse up to 328 feet using Gigabit Ethernet.

Specifications (continued)

Max Distance

- Extend up to 328 feet (100 meters) using CAT6/6a/7 cable.
 - In a Point-to-Many or Many-to-Many connection, the max length between the switch and the local/remote unit is 164 feet (50 meters).

Cables

- 1-meter male USB Type A to male USB Type B interface cable included.
- Interface cables between the video source/display and the transmitter/receiver are required for proper operation.
 - Supports cable lengths to 20 feet.
 - ♦ Longer cable lengths can be used provided they have a built-in video equalizer (also known as “active HDMI cables”).
- Use HD-xx-MM cable to connect an HDMI source of display (not included).
- Use DVI-HD-xx-MM to connect DVI source or display (not included).
- Use HD-RM-xx-MM 4K HDMI RedMere Active Cables to connect an HDMI source of display up to 100 feet (not included).
 - Supports resolutions to 4K@30Hz.
- Use CAT6/6a/7 cable terminated with standard RJ45 connectors (not included).

Low-Cost 4K HDMI USB KVM Extender Over IP – Transmitter & Receiver Set Models

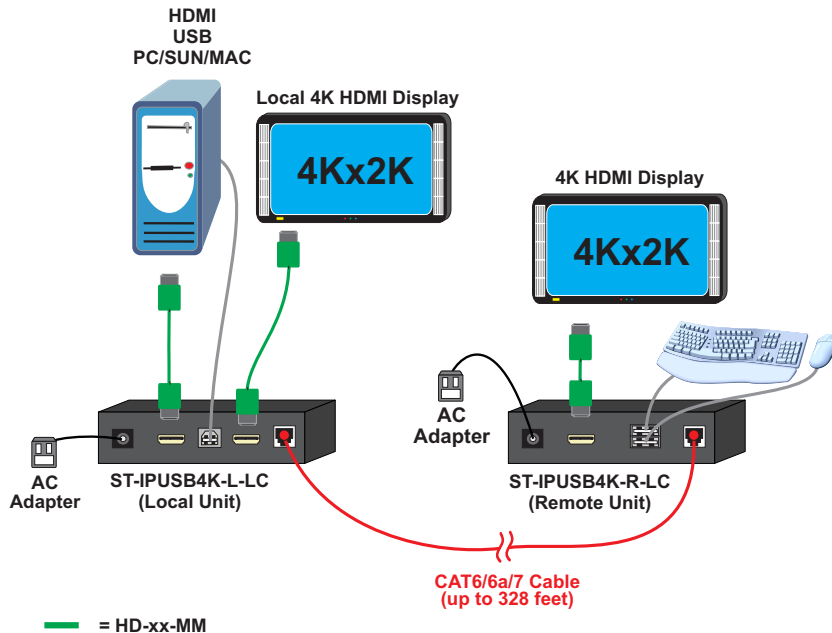
NTI Part #	Power Cord Plug
ST-IPUSB4K-LC	US NEMA 1-15P
ST-IPUSB4K-LCEU	Europlug CEE 7/16
ST-IPUSB4K-LCUK	UK BS1363
ST-IPUSB4K-LCAU	AS/NZS 3112
ST-IPUSB4K-LCUNV	US NEMA 1-15P with country-specific universal power plug adapter

Low-Cost 4K HDMI USB KVM Extender Over IP – Receiver Only Models

NTI Part #	Power Cord Plug
ST-IPUSB4K-R-LC	US NEMA 1-15P
ST-IPUSB4K-R-LCEU	Europlug CEE 7/16
ST-IPUSB4K-R-LCUK	UK BS1363
ST-IPUSB4K-R-LCAU	AS/NZS 3112
ST-IPUSB4K-R-LCUNV	US NEMA 1-15P with country-specific universal power plug adapter

Configuration and Cable Illustrations

Point-to-Point Connection



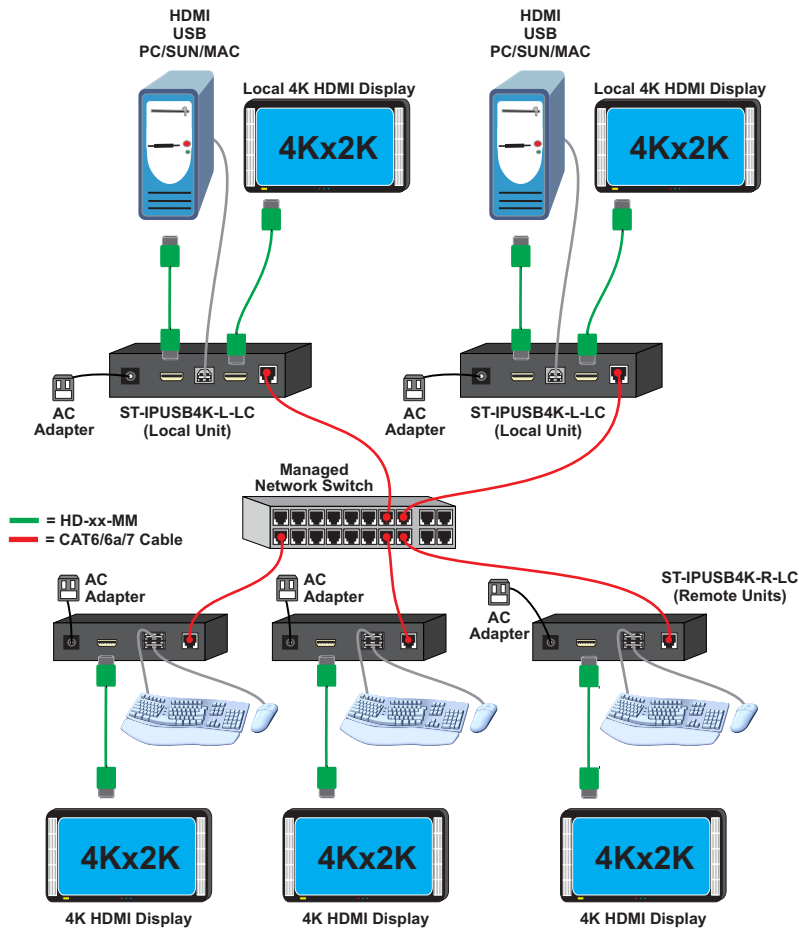
Low-Cost 4K HDMI USB KVM Extender Over IP

XTENDEX®

Extend 4Kx2K HDMI monitor, Audio, USB keyboard, and USB mouse up to 328 feet using Gigabit Ethernet.

Configuration and Cable Illustrations

Many-to-Many Connections



Point-to-Many Connections

