

# 4K 18Gbps HDMI HDBase-T Extender via One CAT5e/6 XTENDEX®

**Extend Ultra-HD 4Kx2K 60Hz 4:4:4 HDMI display, Multi-channel Audio, Ethernet, RS232, IR, and Power up to 230 feet (70 meters) away from the source using HDBase-T technology.**

- Transmits an uncompressed HDMI signal over one CAT5e/6 solid cable.
- Supports Ultra-HD 4Kx2K resolutions to 3840x2160 and 4096x2160 @30/50/60Hz YUV 4:4:4, and HDTV resolutions to 1080p @120Hz.
  - Extend a 4Kx2K signal up to 230 feet (70 meters) with solid CAT5e/6/7 cable.
  - Extend a 1080p signal up to 275 feet (84 meters) with solid CAT5e/6/7 cable.
- HDMI features supported:
  - HDMI 2.0b
  - Up to 36-bit Deep Color
  - RGB, YUV 4:4:4, YCbCr 4:4:4, YCbCr 4:2:2
  - Dolby TrueHD, DTS-HD Master Audio, Dolby Digital, Dolby Digital+, Dolby Atmos, Dolby Digital 2/5.1CH, LPCM 2/5.1/7.1CH, LPCM 2CH, LPCM 5.1, DTS 5.1, DTS:X, and DTS 2/5.1CH.
  - Bandwidth up to 600 Mhz (18Gbps).
  - Support for CEC (consumer electronic control) compatible devices.
  - 3D (1080p @60Hz)
  - HDR and HBR.
- HDCP 2.2 and 1.4 compliant.
- Only one power supply is necessary to power both the local and remote units.
- Bi-directional Infrared Remote (IR) control of HDMI source or display. IR transport channel can be forward or backward per the installation.
- Support full-duplex RS232 up to 115200 baud.
- Features an Ethernet port on the transmitter and receiver for connecting standard network devices, such as 100Base-T routers and hubs.



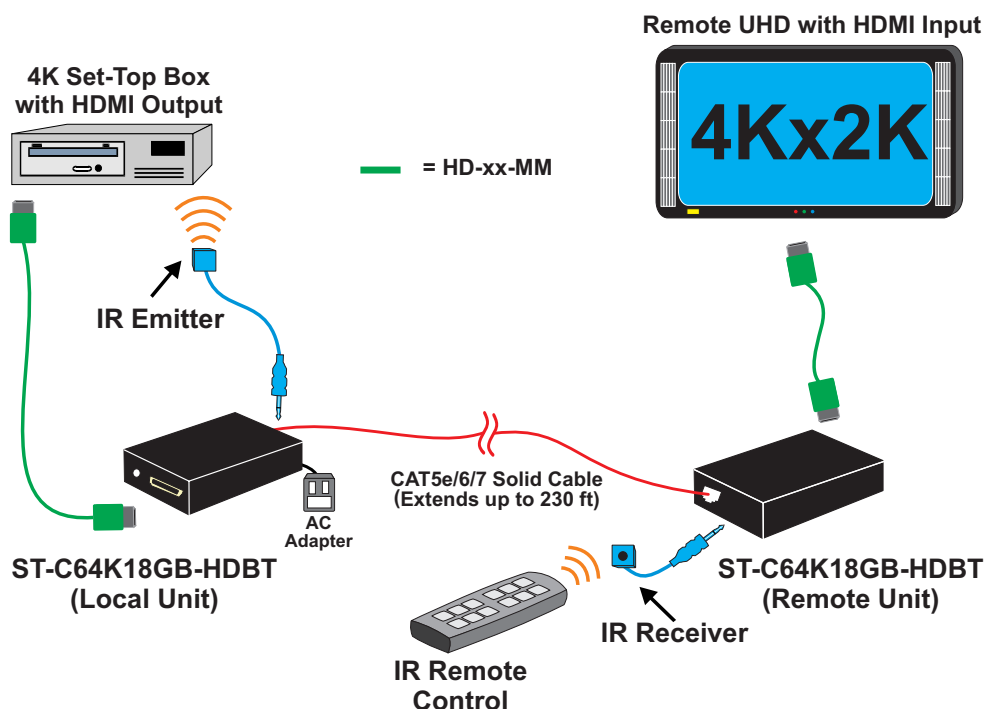
**XTENDEX® ST-C64K18GB-HDBT (Local and Remote Unit)**



- Resolutions to Ultra-HD 4Kx2K 60Hz 4:4:4
- 18Gbps bandwidth
- HDMI 2.0
- Only one power supply required

The XTENDEX® 4K HDMI HDBase-T Extender transmits uncompressed digital Ultra-HD 4Kx2K 60Hz 4:4:4 HDMI signal, IR, RS232, Ethernet, and power up to 230 feet over a single CAT5e/6/7 solid cable using HDBase-T technology. Each video extender consists of a local unit that connects to an HDMI source and a remote unit that connects to an HDMI display.

## Configuration and Cable Illustration



# 4K 18Gbps HDMI HDBase-T Extender via One CAT5e/6 XTENDEX®

Extend Ultra-HD 4Kx2K 60Hz 4:4:4 HDMI display, Multi-channel Audio, Ethernet, RS232, IR, and Power up to 230 feet (70 meters) away from the source using HDBase-T technology.

## Specifications

### Local Unit

- Compatible with a computer or Ultra-HD video source with HDMI output.
- One female HDMI connector.
- Two female 3.5mm ports for connecting an IR emitter and receiver (included).
- 3-pin screw terminal for RS232.
  - Support full-duplex RS232 up to 115200 baud.
- One female RJ45 100Base-T Ethernet port for connecting standard network device, such as 100Base-T router or hub, or home theater device, such as smart TV or smart Blu-ray player.
- One female 5-pin USB Mini Type B connector for firmware updates.
- One female RJ45 port for sending/receiving high definition video, audio, IR, DDC and Ethernet signals.
- Supports HDCP 2.2 and 1.4

### Remote Unit

- One female HDMI connector for display.
- Two female 3.5mm ports for connecting an IR emitter and receiver (included).
- 3-pin screw terminal for RS232.
  - Support full-duplex RS232 up to 115200 baud.
- One female RJ45 100Base-T Ethernet port for connecting standard network device, such as 100Base-T router or hub, or home theater device, such as smart TV or smart Blu-ray player.
- One female 5-pin USB Mini Type B connector for firmware updates.
- One female RJ45 port for sending/receiving high definition video, audio, IR, DDC and Ethernet signals.
- Supported video resolutions:
  - Ultra-HD 4Kx2K60Hz 4:4:4 resolutions (4096x2160 and 3840x2160 @30/50/60Hz)
  - HDTV resolutions to 1080p (1080p@120Hz, 1080p 3D@60Hz).
- Supports HDCP 2.2 and 1.4
- Max data rate: 18Gbps

### Dimensions

- WxDxH (in): 6.18x3.54x0.79 (157x90x20 mm)

### Power

- Powered from a single power supply attached to either the local or remote unit.
- Local or remote unit: 100 to 240 VAC at 50 or 60 Hz via AC adapter.
- Output: 24VDC, 1A
- Power consumption: 24W (max)

### Environmental

- Operating temperature: 32 to 104°F (0 to 40°C).
- Storage temperature: -4 to 140°F (-20 to 60°C).
- Operating/storage relative humidity: 20 to 90% non-condensing RH.

### Regulatory Approvals

- CE, FCC, RoHS

### Max Distance

- Extend a 4Kx2K signal up to 230 feet (70 meters) with solid CAT5e/6/7 cable.
- Extend a 1080p signal up to 275 feet (84 meters) with solid CAT5e/6/7 cable.

### Cables

- Interface cables between the video source/display and the transmitter/receiver are required for proper operation.
  - Supports cable lengths to 20 feet.
  - Cables longer than 20 feet can be used provided they have a built-in video equalizer (also known as “active HDMI cables”).
- Use HD-xx-MM cable to connect an HDMI source or display (not included).
- Use DVI-HD-xx-MM cable to connect a DVI source or display (not included).
- Use HD-RM-xx-MM 4K HDMI RedMere Active Cables to connect an HDMI source or display up to 100 feet (not included).
  - Supports resolutions to 4K@30Hz.
- Use CAT5e/6 straight through cable for TIA/EIA-568B wiring terminated with standard RJ45 connectors (not included).
  - Extend a 4Kx2K signal up to 230 feet (70 meters) with solid CAT5e/6/7 cable.
  - Extend a 1080p signal up to 275 feet (84 meters) with solid CAT5e/6/7 cable.
- Cables not included.

### Warranty

- Two years

### Package Includes

- One transmitter unit
- One receiver unit
- Two IR emitters
- Two IR receivers
- One power supply
- User manual